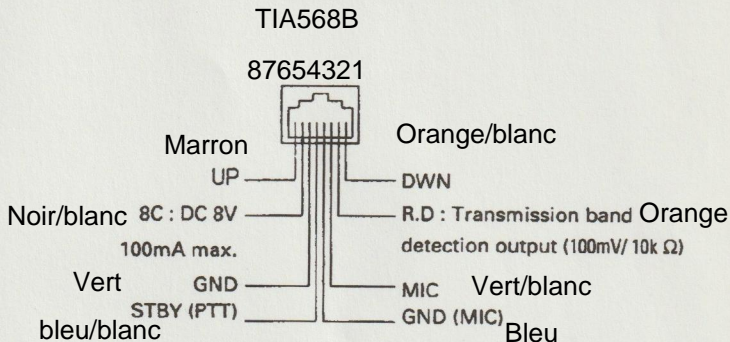


Preparation

- Set the controls and switches to the positions listed below unless otherwise specified.

VOL control	Fully counterclockwise
SQL control	Fully counterclockwise
POWER switch	OFF
(For fixed stations)	OFF
DC power supply POWER switch	



Microphone socket
(as viewed from the front of the set)